

XMODS® Rubber Tire Kit

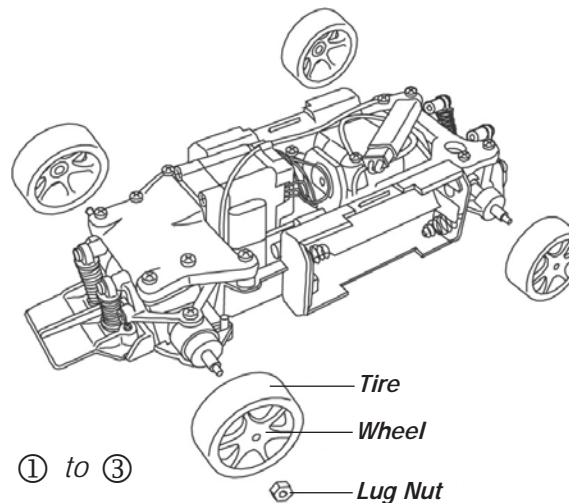
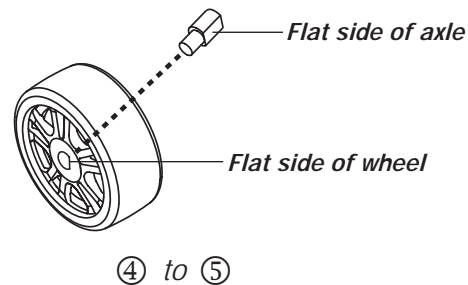
60-436

Thank you for purchasing your rubber tire kit from **RadioShack**. Please read this user's guide before installing, setting up, and using your new product.

This kit contains four sets of tires – four soft slicks, four hard slicks, four soft treads, and four hard treads (16 pieces in total). Change your car tires for optimum grip on whatever surface you choose to drive. Before installing, turn off your vehicle and controller, and detach the car body.

Note: *This kit is not intended for use in the Truck series.*

1. Use the lug wrench in your XMODS® Starter Kit to detach the lug nuts from the wheels on the car.
2. Remove a wheel. The bearings might come off, so take care not to lose them.
3. Remove the tire from the wheel and replace it with a new tire.
4. To re-install the wheels, align the flat side of the wheel with the flat side of the axle and slide the wheel onto the same axle.
5. Screw the lug nut onto the axle and tighten with the lug wrench.
6. Repeat steps 2-5 for each tire.



Tuning Tip: The car rides differently depending on the tires you select and the surface you drive on. Soft slick and soft tread tires provide the best grip but wear out quickly. Hard slick and hard tread tires last the longest but provide less grip and traction.

Limited Warranty

This product is warranted by **RadioShack** against manufacturing defects in material and workmanship under normal use for ninety (90) days from the date of purchase from **RadioShack** company-owned stores and authorized **RadioShack** franchisees and dealers. EXCEPT AS PROVIDED HEREIN, **RadioShack** MAKES NO EXPRESS WARRANTIES AND ANY IMPLIED WARRANTIES, INCLUDING THOSE OF MERCHANTABILITY AND FITNESS FOR A PARTICULAR PURPOSE, ARE LIMITED IN DURATION TO THE DURATION OF THE WRITTEN LIMITED WARRANTIES CONTAINED HEREIN. EXCEPT AS PROVIDED HEREIN, **RadioShack** SHALL HAVE NO LIABILITY OR RESPONSIBILITY TO CUSTOMER OR ANY OTHER PERSON OR ENTITY WITH RESPECT TO ANY LIABILITY, LOSS OR DAMAGE CAUSED DIRECTLY OR INDIRECTLY BY USE OR PERFORMANCE OF THE PRODUCT OR ARISING OUT OF ANY BREACH OF THIS WARRANTY, INCLUDING, BUT NOT LIMITED TO, ANY DAMAGES RESULTING FROM INCONVENIENCE, LOSS OF TIME, DATA, PROPERTY, REVENUE, OR PROFIT OR ANY INDIRECT, SPECIAL, INCIDENTAL, OR CONSEQUENTIAL DAMAGES, EVEN IF **RadioShack** HAS BEEN ADVISED OF THE POSSIBILITY OF SUCH DAMAGES.

Some states do not allow limitations on how long an implied warranty lasts or the exclusion or limitation of incidental or consequential damages, so the above limitations or exclusions may not apply to you.

In the event of a product defect during the warranty period, take the product and the **RadioShack** sales receipt as proof of purchase date to any **RadioShack** store. **RadioShack** will, at its option, unless otherwise provided by law: (a) correct the defect by product repair without charge for parts and labor; (b) replace the product with one of the same or similar design; or (c) refund the purchase price. All replaced parts and products, and products on which a refund is made, become the property of **RadioShack**. New or reconditioned parts and products may be used in the performance of warranty service. Repaired or replaced parts and products are warranted for the remainder of the original warranty period. You will be charged for repair or replacement of the product made after the expiration of the warranty period.

This warranty does not cover: (a) damage or failure caused by or attributable to acts of God, abuse, accident, misuse, improper or abnormal usage, failure to follow instructions, improper installation or maintenance, alteration, lightning or other incidence of excess voltage or current; (b) any repairs other than those provided by a **RadioShack** Authorized Service Facility; (c) consumables such as fuses or batteries; (d) cosmetic damage; (e) transportation, shipping or insurance costs; or (f) costs of product removal, installation, set-up service adjustment or reinstallation.

This warranty gives you specific legal rights, and you may also have other rights which vary from state to state.

RadioShack Customer Relations
300 RadioShack Circle, Fort Worth, TX 76102

12/99

www.radioshack.com



©2008 **RadioShack** Corporation
All Rights Reserved.
XMODS is a registered trademark used by **RadioShack** Corporation.

www.xmodsRC.com

08A08
60-436
INS-3254-US-01
Printed in China